



RJFTVX, USBFTVX, RJ11FTVX

RJ45,USB, RJ11/12 explosion proof solutions for Zone 2



Amphenol Atex Field Bus range is designed for device group II category 3G. According to EN60079-15 it may be operated within zone 2 and class I, Division 2, as low power non sparking connectors.

RJFTVX • Rugged and sealed RJ45 connector

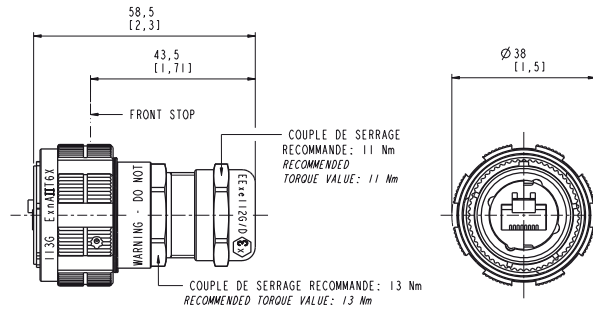


RJFTVX allows you to use an Ethernet Class D / Cat. 5e connection for 10 BaseT, 100 BaseTx or 1000 BaseT networks in ATEX zone 2 environments. With the patented RJStop system you can use a standard RJ45 cordset in a metallic plug which will protect it from shocks, dust and fluids. RJFTVX features the same main characteristics than RJFTV series (see page 14)

CHARACTERISTICS

| | |
|-----------------------------|--|
| Ex marking | II3G ExnAII T6 X |
| Operating temperature range | -40°C / +60°C |
| Voltage | 60 Veff max |
| Power | 20 W max |
| Outside cable diameter | 6mm to 12mm |
| Sealing | IP68 |
| Data transmission | 10 BaseT, 100 BaseTX & 1000 BaseT networks. Cat. 5e per TIA/EIA 568B & Class D per ISO/IEC 11801 |

RJFTVX6 PLUG

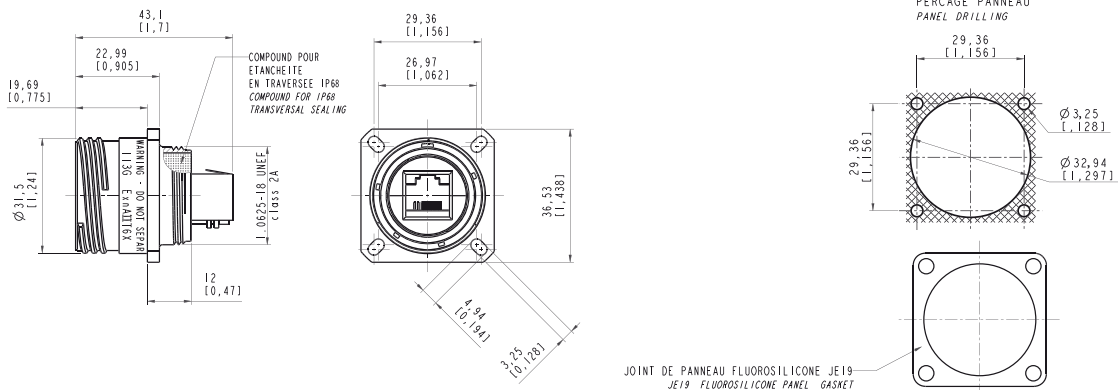


PART NUMBERS:

Nickel Plated plug: **RJFTVX6MN**
Olive drab cadmium plug: **RJFTVX6MG**

IP68 metallic cap: **RJFTVC6N**
IP68 metallic cap: **RJFTVC6G**

RJFTVX2 receptacle



PART NUMBERS:

RECEPTACLE

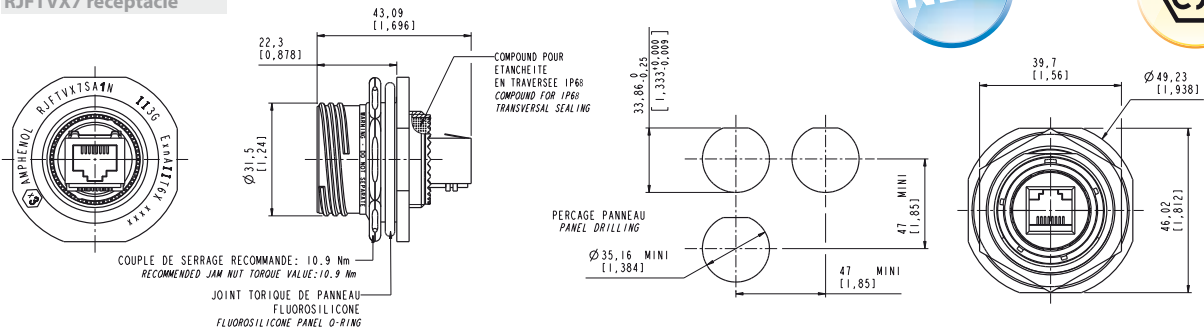
Nickel Plated • RJ45 back termination • coding A-: **RJFTVX2SA1N**
Olive drab cadmium • RJ45 back termination • coding A: **RJFTVX2SA1G**

RECEPTACLE CAP

Nickel: **RJFTVC2N**
Olive drab cadmium: **RJFTVC2G**



RJFTVX7 receptacle



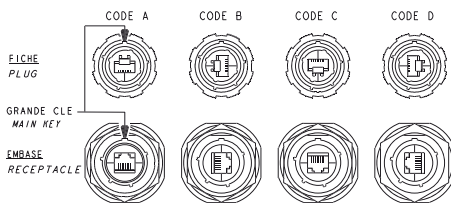
PART NUMBERS:

RECEPTACLE

Nickel Plated • RJ45 back termination • coding A: **RJFTVX7SA1N**
 Olive drab cadmium • RJ45 back termination • coding A: **RJFTVX7SA1G**

RECEPTACLE CAP

IP68 metallic cap: **RJFTVC7N**
 IP68 metallic cap: **RJFTVC7G**



REMARK: As receptacles are compounded (IP68 transversally sealing), coding position has to be specified in the part number: "A" (standard), "B", "C" or "D".

Receptacles can be provided with RJ45 cordsets.

There are 4 standard lengths as described hereunder (with coding "A"):

- Nickel plated / 0,3 meters RJ45 cordsets: RJFTVX2SA2N03100BTX
- Nickel plated / 0,5 meters RJ45 cordsets: RJFTVX2SA2N05100BTX
- Nickel plated / 1,0 meters RJ45 cordsets: RJFTVX2SA2N10100BTX
- Nickel plated / 1,5 meters RJ45 cordsets: RJFTVX2SA2N15100BTX

For Olive Drab Cadmium plating replace the "N" with a "G" in the P/N.

USBFTVX • Rugged and sealed USB connector

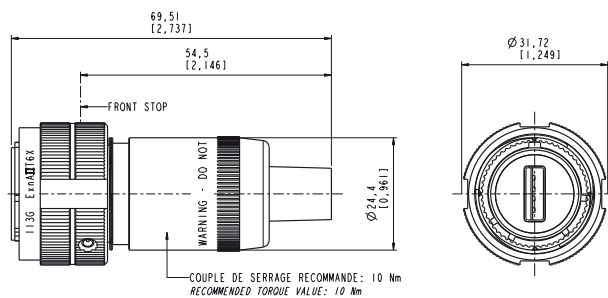


With USBFTVX, you can insert a standard USB 2.0 cordset into a metallic plug which will protect it from shocks, dust and fluids. This range is fitted to be used in Atex zone 2 environments. This metallic plug is connected into a receptacle, using a Tri Start Thread coupling mechanism (MIL-DTL-38999 series III type) with anti-decoupling device for high vibrations. USBFTVX features the same main characteristics than USBFTV series (see page 25)

CHARACTERISTICS

| | |
|-----------------------------|------------------------|
| Ex marking | II3G ExnAII6 X |
| Operating temperature range | -40°C / +70°C |
| Voltage | 60 Veff max |
| Power | 20 W max |
| Outside cable diameter | 4mm to 6mm |
| Sealing | IP68 |
| Data transmission | USB 2.0 up to 480 Mb/s |

USBFTVX6 PLUG



PART NUMBERS:

PLUG

Nickel: **USBFTVX6N**
 Olive drab cadmium: **USBFTVX6G**

PLUG CAP

Nickel: **USBFTVC6N**
 Olive drab cadmium: **USBFTVC6G**

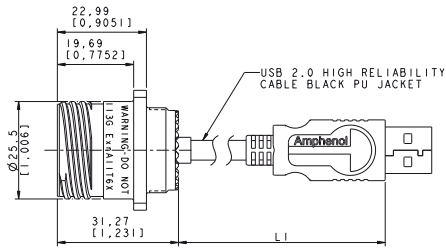
RJ45/USB/RJ11 ATEX

Amphenol

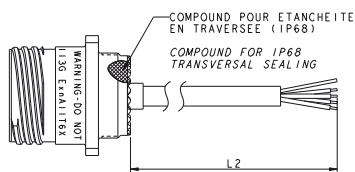


USBTX2 & USBTX2 receptacles

Square Flange Receptacle Type USBFTV2

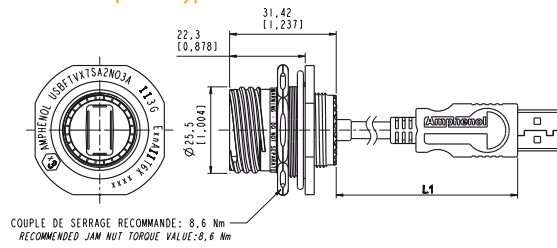


Cable end Type "A" (Standard USB "A" Plug)

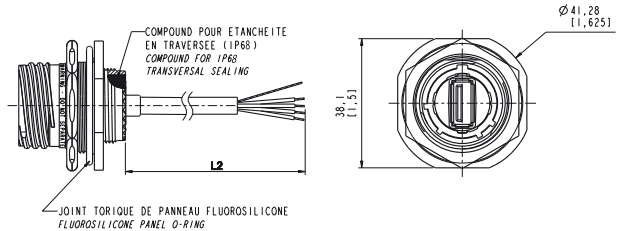


Cable end Type "OPEN" (No connector)

Jam Nut Receptacle Type USBFTV7



Cable end Type "A" (Standard USB "A" Plug)



Cable end Type "OPEN" (No connector)

RECEPTACLE CAPS PART NUMBERS:

Nickel plated cap for USBFTVX2: **USBFTVC2N**

Nickel plated cap for USBFTVX7: **USBFTVC7N**

Olive drab cadmium cap for USBFTVX2: **USBFTVC2G**

Olive drab cadmium cap for USBFTVX7: **USBFTVC7G**

| | | | | | | | |
|------------------------------|------------------------------|---------------------------------|----------------------------|---|----|---|--|
| Series | USBFTVX | | | | | | |
| USB Field TV | 2S | A | 2 | N | 03 | A | |
| Shell Type | 2S: Square flange receptacle | | 7S: Jam nut receptacle | | | | |
| Coding "A" (Standard) or "B" | | | | | | | |
| Back Terminations | 2: Rugged USB cable | | | | | | |
| Shells Plating | N: Nickel | G: Olive drab cadmium plating | | | | | |
| USB cable length | 03: 30 cm [11.81 inches] | 05: 50 cm [19.68 inches] | 10: 1 meter [39.37 inches] | | | | |
| USB cable end | A: Standard USB-A plug | OPEN: Open cable (no connector) | | | | | |

RJ11FTVX • Rugged and sealed RJ11/12 connector



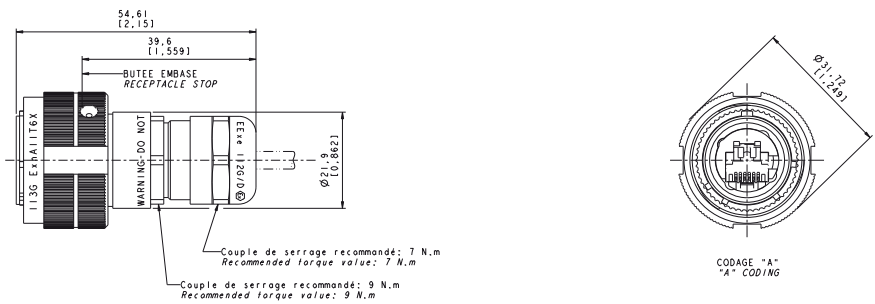
RJ11FTVX allows you to use a standard phone RJ11 / RJ12 connection in Atex zone 2 environments. With the patented RJStop® system you can use a standard RJ11 / RJ12 cordset in a metallic plug which will protect it from shocks, dust and fluids.

CHARACTERISTICS

| | |
|-----------------------------------|--|
| Ex marking | IIG ExnAIIIT6 X |
| Operating temperature range | -40°C / +60°C |
| Voltage | 60 Veff max |
| Power | 20 W max |
| Outside cable diameter | 4mm to 5.5mm |
| Sealing | IP68 |
| Coupling mechanism | Tri Start thread with anti-decoupling device (MIL-DTL-38999 series III) |
| Mating cycles | 500 min |
| Salt spray | 48h with nickel plating / 500 h with oliv drab cadmium plating |
| Coding | 4 mechanical user-defined coding / Polarization settings (insert rotation) |
| Fire retardant / Low Smoke | UL94 V0 and NF16 101 & 16 102 |
| R11 cordset retention in the plug | 100 N in the Axis |



RJ11FTVX6 PLUG

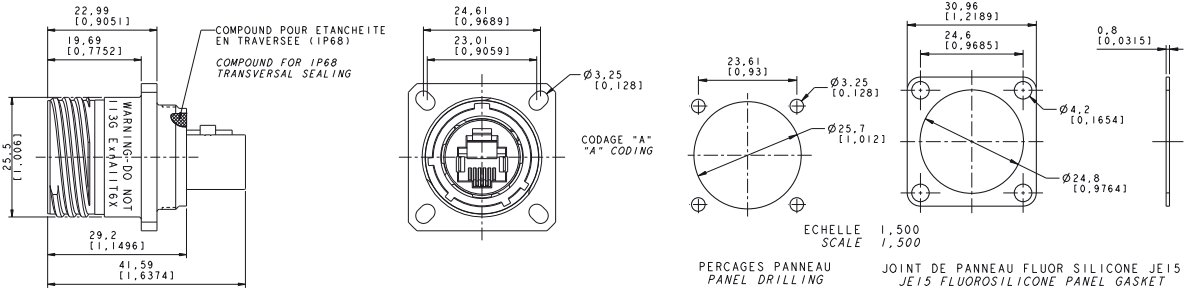


PART NUMBERS:

PLUG
Nickel plated: **RJ11TVX6MN**
Olive drab cadmium: **RJ11FTVX6MG**

CAP
Nickel plated: **RJ11FTVC6N**
Olive drab cadmium: **RJ11FTVC6G**

RJ11FTVX2

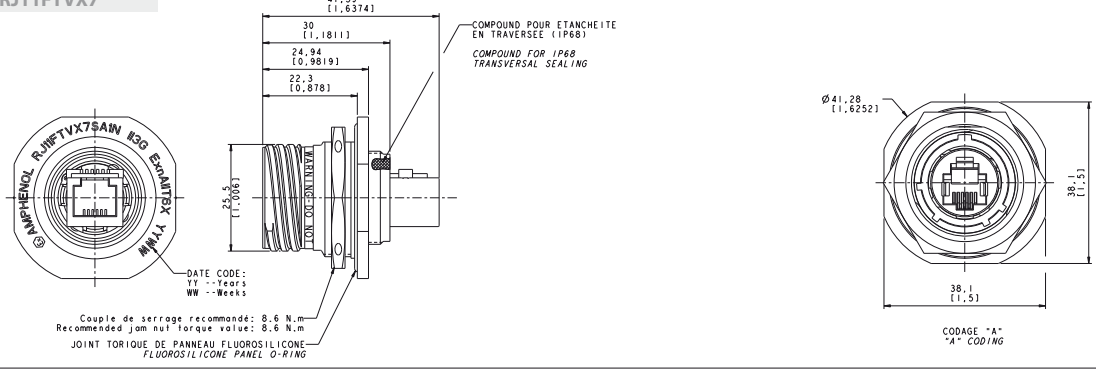


PART NUMBERS:

RECEPTACLE
Nickel Plated - Female RJ45 back termination - coding A: **RJ11FTVX2SA1N**
Olive drab cadmium - Female RJ45 back termination - coding A: **RJ11FTVX2SA1G**

RECEPTACLE CAP
Nickel plated: **RJ11FTVC2N**
Olive drab cadmium: **RJ11FTVC2G**

RJ11FTVX7

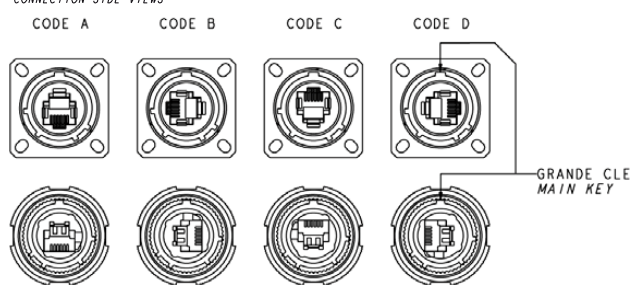


PART NUMBERS:

RECEPTACLE
Nickel Plated - Female RJ45 back termination - coding A: **RJ11FTVX7SA1N**
Olive drab cadmium - Female RJ45 back termination - coding A: **RJ11FTVX7SA1G**

RECEPTACLE CAP
Nickel: **RJ11FTVC7N**
Olive drab cadmium: **RJ11FTVC7G**

INSERTS CODING
CONNECTION SIDE VIEWS



REMARK:
As receptacles are compounded (IP68 transversally sealing), coding position has to be specified in the part number: "A" (standard), "B", "C" or "D".

RJ11/USB/ RJ11 ATEX

Amphenol